



BT Box 24

BASIC INSTRUMENT ENCLOSURE

SYSTEM SOLUTIONS
ENCLOSURES & COMPONENTS
ROTARY SWITCHES

Available in the UK via

ASTUTE

astute.global

BASIC INSTRUMENT ENCLOSURE

ONE BOX IN DIFFERENT VERSIONS

The BT Box 24 is a basic enclosure for a variety of applications. The enclosure made of coated sheet steel with aluminum front and back panel impresses with its simplicity. Screws are not visible as they disappear behind the frame. Integrated ventilation slots ensure that the heat generated inside is efficiently dissipated.

The tiltable feet allow the case to be put up inclined, making it ideal as a desktop case for test, measurement and other industrial equipment. With the optional handle, the device is even portable.

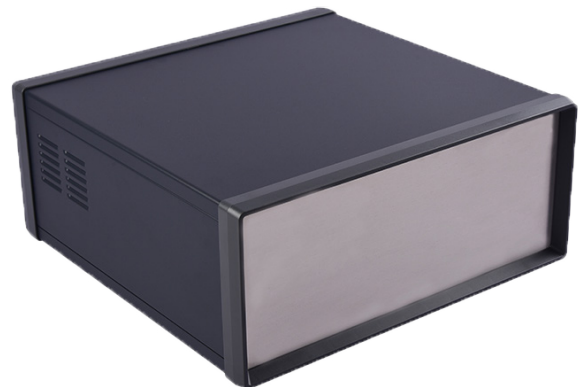
BASE PLATE FOR COMPONENT MOUNTING

Each enclosure is equipped with a separate base plate. This allows easy mounting of the electronic components, that come into the box.

TOTALLY WELL SERVED

Thanks to the services of Elma, you can confidently leave the production to us. We offer:

- › Design and feasibility studies
- › 2D and 3D design data
- › Front panel printing and machining
- › Thermal analyzes
- › Electronics integration
- › Function tests
- › Prototypes
- › Series production
- › Packaging and logistics



Available in the UK via

ASTUTE

Global Component Distribution

COLOR AND SIZE

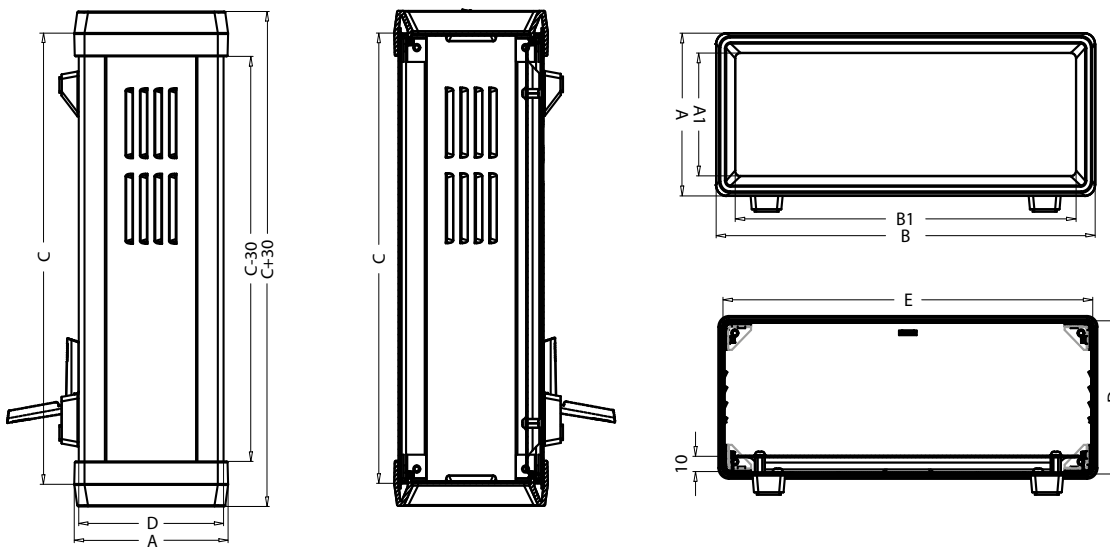
CLEVER DESIGN FOR YOU CHOISE

COLORS

Most cases are available in the standard colors white, yellow, orange or dark gray. Please see the table below.

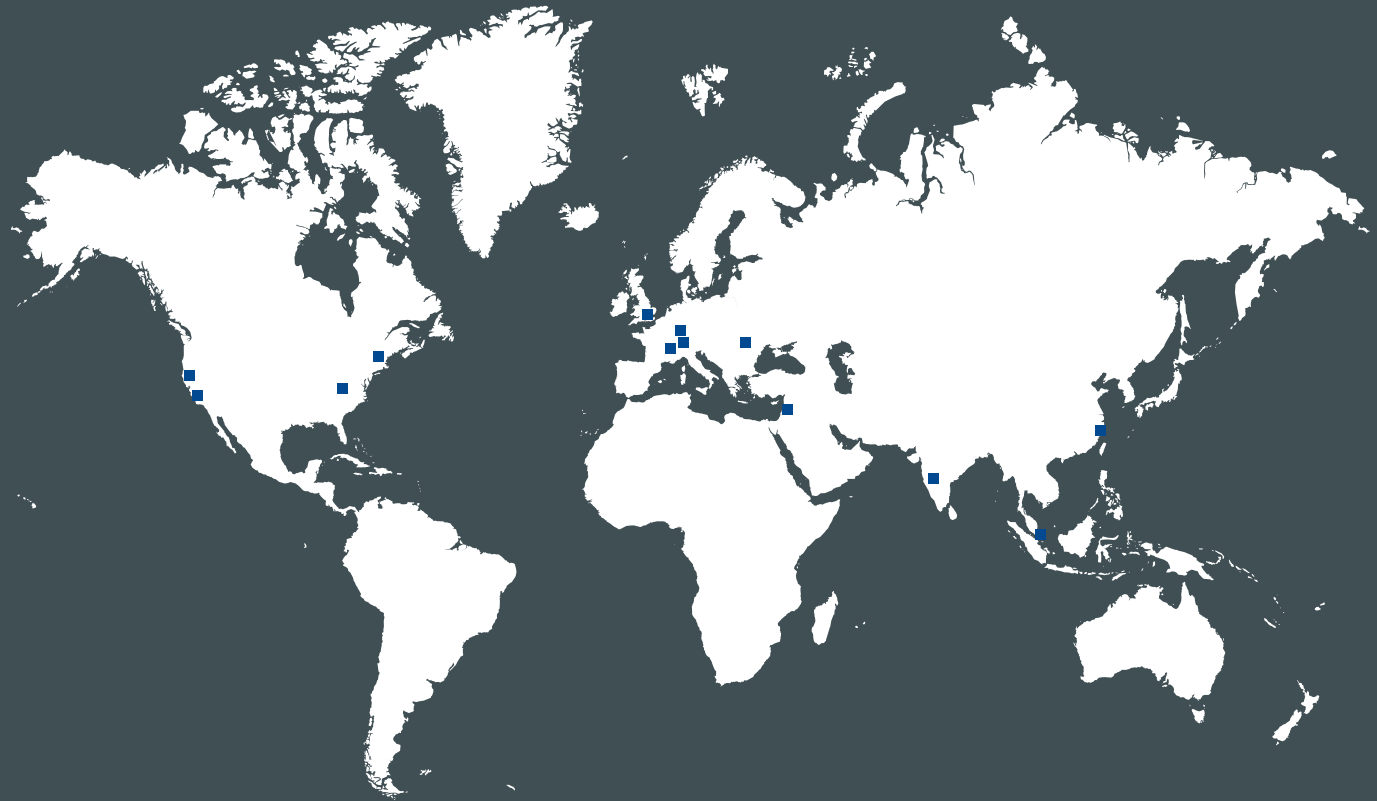
SIZES

The BT Box 24 is available in different sizes according to the table below. Please note that the corresponding code and depth (C) must always be specified when ordering.



Code	Height		Width		Depth	Height with-out frame	Height with frame	Feet	Base	White	Black	Orange	Yellow	Handle
	A	A1	B	B1										
22	106.2	80.2	256.2	230.2	300/350	100	250	*		*	*	*	*	○
24	106.2	80.1	356.2	330.2	300/350	100	350	*		*	*			
27	141.2	115.2	436.2	410.2	350/400	135	430	*		*	*			
20	156.2	130.2	186.2	160.2	300/350	150	180	*		*	*	*	*	○
23	156.2	130.2	256.2	230.2	300/350	100	250	*		*	*	*	*	○
25	156.2	130.2	356.2	330.2	300/350	150	350	*		*	*			
18	186.2	180.2	156.2	130.2	300/350	180	150	*		*	*	*	*	○
28	186.2	160.2	436.2	410.2	350/400	180	430	*		*	*			
21	206.2	180.2	186.2	160.2	300/350	200	180	*		*	*	*	*	○
26	206.2	180.2	356.2	330.2	300/350/400	200	350	*		*	*			
17	256.2	230.2	106.2	80.2	300/350	100	250		*	*	*	*	*	○
19	256.2	230.2	156.2	130.2	300/350	250	130	*		*	*	*	*	○
29	266.2	240.2	436.2	410.2	400/450	260	430	*		*	*			

*possible | 0 options



**Elma Electronic AG,
Switzerland**

Hofstrasse 93
CH-8620 Wetzikon
T: +41 44 933 41 11
F: +41 44 933 42 15
sales@elma.ch

**Elma Electronic GmbH,
Germany**

Stuttgarter Strasse 11
D-75179 Pforzheim
T: +49 7231 97 34 0
F: +49 7231 97 34 97
info@elma.de

Elma Electronic France SA

16 rue de Hannah Arendt
Parc des Forges
F-67200 Strasbourg
T: +33 38 56 72 50
sales@elma-electronic.fr

Elma Electronic UK Ltd.

Solutions House
Priory Business Park
Fraser Road
Bedford MK44 3BF
Great Britain
T: +44 1234 838822
F: +44 1234 836650
sales@elma.co.uk

Elma Electronic Romania SRL

Chisoda, DN 59 km8 + 550m
RO-307221 Judetul Timis
T: +40 374 480 400
F: +40 256 249 820
sales@elma.ch

Elma Electronic Israel Ltd.

34, Modi'in St., I.Z.Sgula
IL-49271 Petach-Tikva
T: +972 3 930 50 25
F: +972 3 931 31 34
sales@elma.co.il

Elma Electronic Inc., USA

44350 S. Grimmer Blvd
Fremont, CA 94538, USA
T: +1 510 656 3400
F: +1 510 656 3783
sales@elma.com

Optima Stantron, USA

1775 MacLeod Drive
Lawrenceville, GA 30043, USA
T: +1 770 496 4000
F: +1 770 496 4026
sales@elma.com

**Elma Electronic Private Ltd.,
India**

Green Arch
3rd Phase 1st Main
J.P. Nagar
Bangalore 560078
sales@elma.com

**Elma Electronic Technology
(Shanghai) CO., Ltd.,
China**

No. 11 Building, No198
Chang Jian Road,
Bao Shan District
CN-200949 Shanghai
T: +86 21 5866 5908
F: +86 21 5866 5918
sales@elmachina.com

**Elma Asia Pacific Pte. Ltd.,
Singapore**

8 Ubi Road 2
07-14 Zervex Building
SG-408538 Singapore
T: +65 6479 8552
F: +65 6479 8662
sales.elmaap@elma.com

Available in the UK via Astute

andy.jefkins@astute.global
+44 (0)1438 909 922

Available in the UK via

ASTUTE

astute.global